

Invoice address:

Dispatch address:

 See invoice address

 Order

 Cost estimate

Customer No.: _____

Orderer: _____

Date: _____

Signature: _____

Commission: _____

BORIS

The comfortable toilet and shower chair

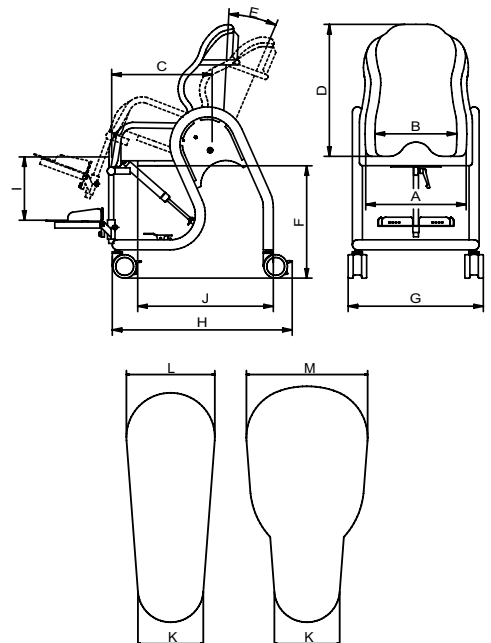
- Anatomically-shaped seat pan made of PE, colour steel blue
- Subframe made of stainless steel
- Seat angle adjustment via gas pressure spring: 130 N (Size 0), 200 N (Size 1-3) and 2x 130 N (Size 4)
- Mechanical height adjustment
- 4 dual castors (100 mm) with locking devices


HMV No.: 33.40.04.2008





Dimensions - basic model





		Size 0	Size 1	Size 2	Size 3	Size 4
A	Seat width at front	31 cm	36 cm	41 cm	46 cm	51 cm
B	Seat width at rear	26 cm	31 cm	36 cm	41 cm	46 cm
C	Seat depth	31 cm	36 cm	41 cm	46 cm	48 cm
D	Back height	49 cm	51 cm	56 cm	61 cm	65 cm
E	Tilt-in-space	(-)5° - 30°	(-)5° - 30°	(-)5° - 30°	(-)5° - 30°	(-)5° - 30°
F	Can be positioned over a toilet	47 - 57cm	45 - 55cm	42 - 52cm	42 - 52cm	42 - 52cm
G	Total width	56 cm	61 cm	63 cm	71.5 cm	74 cm
H	Total length	65 cm	65 cm	65 cm	70 cm	70 cm
I	Max. lower leg length	38 cm	38 cm	48 cm	48 cm	48 cm
J	Front edge of hygiene opening to back edge of subframe	47 cm	49 cm	51 cm	54 cm	57 cm
K	Front opening width	10 cm	10 cm	10 cm	10 cm	10 cm
L	Rear opening width	12 cm	12 cm	13.5 cm	13.5 cm	13.5 cm
M*	Rear opening width	-	-	18.5 cm	18.5 cm	18.5 cm
	Max. load	60 kg	80 kg	100 kg	100 kg	150 kg
	Weight	28 kg	30 kg	33 kg	35 kg	38 kg




* only applies to Sizes 2 b, 3 b and 4 b



Basic model				
BORIS size 0	BORIS size 1	BORIS size 2	BORIS size 3	BORIS size 4
<input type="checkbox"/> 5200100/A	<input type="checkbox"/> 5201100/A	<input type="checkbox"/> Size 2 a (5202100/A) <input type="checkbox"/> Size 2 b (5202200/A)	<input type="checkbox"/> Size 3 a (5203100/A) <input type="checkbox"/> Size 3 b (5203200/A)	<input type="checkbox"/> Size 4 a (5204100/A) <input type="checkbox"/> Size 4 b (5204200/A)

Accessories			
<p>PU-Headrest – blue, adjustable in height and depth with stainless steel bracket</p>  <p><input type="checkbox"/> 5200001</p>	<p>PU insert pad – two-piece for opening form a</p>  <p><input type="checkbox"/> for size 0 (5200101) <input type="checkbox"/> for size 1 (5201101) <input type="checkbox"/> for size 2 (5202101) <input type="checkbox"/> for size 3 (5203101) <input type="checkbox"/> for size 4 (5204101)</p>	<p>PU insert pad – two-piece for opening form b</p>  <p><input type="checkbox"/> for size 2 (5202201) <input type="checkbox"/> for size 3 (5203201) <input type="checkbox"/> for size 4 (5204201)</p>	<p>Tray – with padded arm rest segment and holder</p>  <p><input type="checkbox"/> for size 0 (5200012) <input type="checkbox"/> for size 1 (5201002) <input type="checkbox"/> for size 2 (5202002) <input type="checkbox"/> for size 3 (5203002) <input type="checkbox"/> for size 4 (5204002)</p>

Accessories																								
<p>Toilet bucket – incl. lid and bracket as assembly set</p>  <p><input type="checkbox"/> for sizes 0+1+3 (5200102) <input type="checkbox"/> for size 2+4 (5202102)</p>	<p>Abduction wedge – with integrated splash guard (Note: a subsequent assembly at size 4 has to take place in our factory)</p>  <table border="1"> <thead> <tr> <th></th> <th>Width</th> <th>Height from seat</th> </tr> </thead> <tbody> <tr> <td>for sizes 0+1</td> <td>7 cm</td> <td>14 cm</td> </tr> <tr> <td>for sizes 2-4</td> <td>8 cm</td> <td>17.5 cm</td> </tr> </tbody> </table> <p><input type="checkbox"/> for sizes 0+1 (5201103/F) <input type="checkbox"/> for sizes 2+4 (5202103/F) <input type="checkbox"/> for size 3 (5203103/F)</p>		Width	Height from seat	for sizes 0+1	7 cm	14 cm	for sizes 2-4	8 cm	17.5 cm	<p>Foot plate – height, knee and foot angle adjustment, also folding</p>  <table border="1"> <thead> <tr> <th></th> <th>Adjustable lower leg length</th> </tr> </thead> <tbody> <tr> <td>for sizes 0+1</td> <td>30 - 38 cm</td> </tr> <tr> <td>for sizes 2-4</td> <td>35 - 48 cm</td> </tr> </tbody> </table> <p><input type="checkbox"/> for sizes 0+1 (5201004) <input type="checkbox"/> for sizes 2-4 (5202004)</p>		Adjustable lower leg length	for sizes 0+1	30 - 38 cm	for sizes 2-4	35 - 48 cm	<p>PU-Calf plate – height adjustable (only for use in combination with the foot plate)</p>  <table border="1"> <thead> <tr> <th></th> <th>Height</th> <th>Width</th> </tr> </thead> <tbody> <tr> <td></td> <td>15 cm</td> <td>38 cm</td> </tr> </tbody> </table> <p><input type="checkbox"/> 5201009</p>		Height	Width		15 cm	38 cm
	Width	Height from seat																						
for sizes 0+1	7 cm	14 cm																						
for sizes 2-4	8 cm	17.5 cm																						
	Adjustable lower leg length																							
for sizes 0+1	30 - 38 cm																							
for sizes 2-4	35 - 48 cm																							
	Height	Width																						
	15 cm	38 cm																						

Accessories		Strap holder										
<p>Fixation jacket – made of spacer fabric incl. strap holder for shoulder straps, colour: blue</p>  <p><input type="checkbox"/> Size 1 (5201010) <input type="checkbox"/> Size 2 (5202010) <input type="checkbox"/> Size 3 (5203010)</p>	<p>Pelvic harness – made of spacer fabric, colour: blue</p>  <p><input type="checkbox"/> Size 1 (5201011) <input type="checkbox"/> Size 2 (5202011) <input type="checkbox"/> Size 3 (5203011)</p>	<p>Strap holder – for shoulder straps when using other fixation aids apart from the adjacent fixation jacket</p>  <table border="1"> <thead> <tr> <th>Art. No.</th> <th>Use</th> <th>Max. shoulder width</th> </tr> </thead> <tbody> <tr> <td><input type="checkbox"/> 5201005</td> <td>with headrest</td> <td>30 cm</td> </tr> <tr> <td><input type="checkbox"/> 5201008</td> <td>without headrest</td> <td>30 cm</td> </tr> </tbody> </table>	Art. No.	Use	Max. shoulder width	<input type="checkbox"/> 5201005	with headrest	30 cm	<input type="checkbox"/> 5201008	without headrest	30 cm	
Art. No.	Use	Max. shoulder width										
<input type="checkbox"/> 5201005	with headrest	30 cm										
<input type="checkbox"/> 5201008	without headrest	30 cm										