

LIFTS WITH ONE-PIECE PLATFORM

Uniquely robust and reliable



SAFETY DEVICES

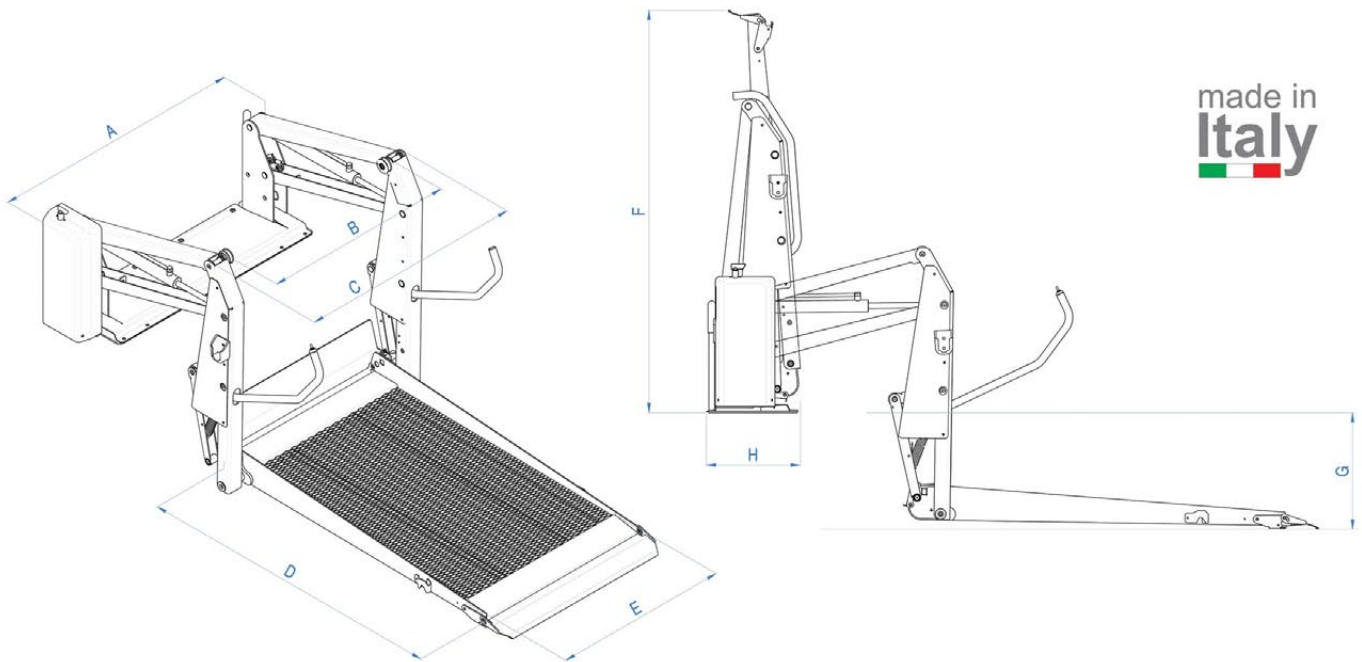
- Front roll-stop stop plate on the automatic loading platform
- Rear roll-stop stop plate on the automatic loading platform
- Anti-tilting control valve
- Automatic extendable/retractable handrails

EMERGENCY

- Emergency operation lift via auxiliary hydraulic pump
- Emergency descent by unlocking descent valve

ALSF
AUTOLIFT SPACE FRAME

The automatic, twin-arm, electro-hydraulic lifts in the **BB** Series have a one-piece platform. Thanks to a two-button control unit and the use of top quality materials, these devices are not only user friendly, they are also extremely reliable. Available in a wide range of sizes, they can be internally rear or side mounted in a wide variety of people carriers.



Technical Features

	Baseplate width	Clear entry width	Traveling frame width	Overall platform length	Overall platform width	Overall lift height	Max loading height	Overall lift depth	Rated load capacity (Kg)	Lift weight (Kg)
	A	B	C	D	E	F	G	H		
BB 1050	1165	880	1030	1050	800	1110	920	350	350	148
BB 1350	1165	880	1030	1350	800	1400	920	350	350	153
BB 1401	1265	970	1120	1400	900	1500	920	350	350	163

Special executions

BB 1402	1265	970	1120	1400	900	1500	920	295	350	142
---------	------	-----	------	------	-----	------	-----	-----	-----	-----

Series BB Technical Features

Movement powered by two hydraulic cylinders
 One-piece folding platform with anti-slip surface
 Anti-rust powder paint coating
 Self-lubricating bushings and pins

Two-button control unit
 12-24V Electrical System
 For use at temperatures between -30°C and +70°C
 Valid EMC accreditation (E50)
 EC standard compliant

AUTOLIFT S.r.l.

Via B. Trentin, 8 - 46020 Pegognaga (MN)

Tel. +39 0376 550375 - Fax +39 0376 553728 - E-mail info@autoliftsrl.com

www.autoliftsrl.com