

LIFTS WITH HORIZONTALLY FOLDING PLATFORM

The importance of good rear visibility



SAFETY DEVICES

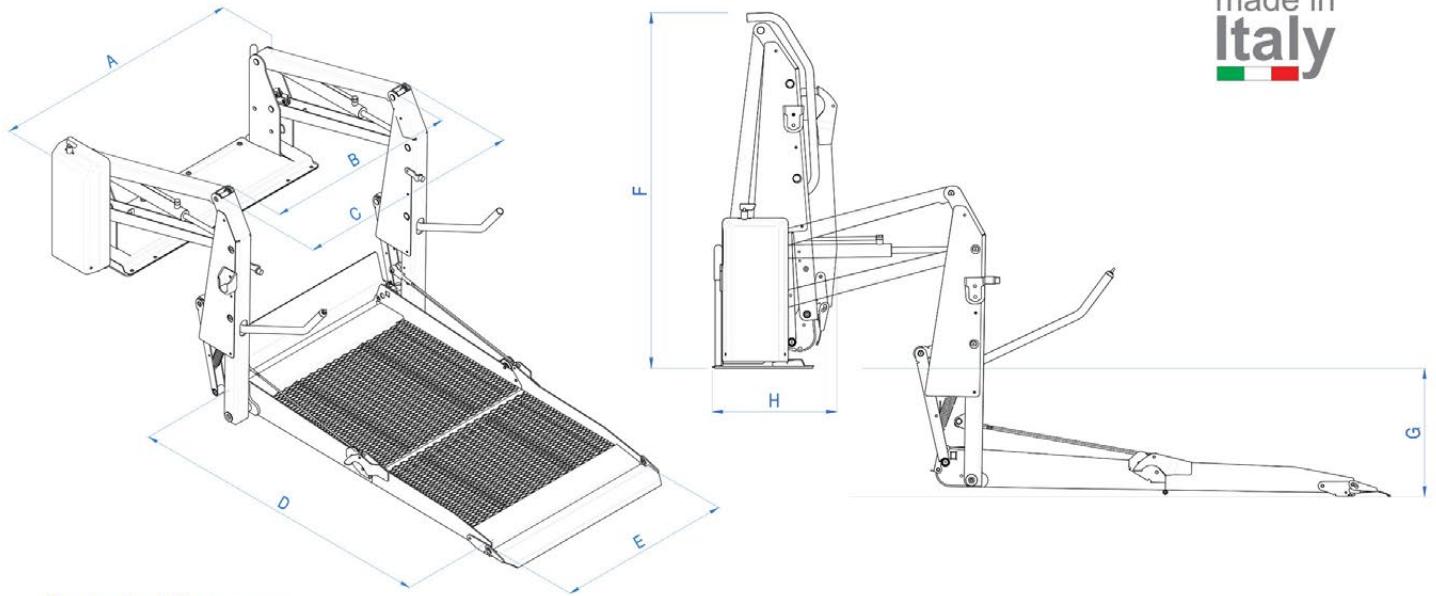
- Front safety roll stop on the automatic loading platform
- Rear safety roll stop on the automatic loading platform
- Anti-tilting control valve
- Automatic extendable/retractable handrails

EMERGENCY

- Emergency operation lift via auxiliary hydraulic pump
- Emergency descent by unlocking descent valve

ALSF
AUTOLIFT SPACE FRAME

The automatic, twin-arm, electro-hydraulic lifts in the **SKY** Series have a horizontally folding platform. Thanks to a two-button control unit and the use of top quality materials, these devices are not only user friendly, they are also extremely reliable. Available in a wide range of sizes, they can be internally rear and side mounted in a wide variety of people carriers, whilst ensuring good visibility.



Technical Features

	Baseplate width	Clear entry width	Traveling frame width	Overall platform length	Overall platform width	Overall lift height	Max loading height	Overall lift depth	Rated load capacity (Kg)	Lift weight (Kg)
	A	B	C	D	E	F	G	H		
BBSL 1150	1085	790	940	1150	720	1130	880	350	320	122
BBS 1250	1165	880	1030	1250	800	1220	920	370	350	155
BBS 1395	1165	880	1030	1400	800	1220	920	370	350	156
BBS 1400	1265	970	1120	1400	900	1120	920	370	350	166

Series SKY BBS Technical Features

Movement powered by two hydraulic cylinders
Horizontally folding platform with anti-slip surface
Anti-rust powder paint coating
Self-lubricating bushings and pins

Two-button control unit
12-24V Electrical System
For use at temperatures between -30°C and +70°C
Valid EMC accreditation (E80)
EC standard compliant

AUTOLIFT S.r.l.

Via B. Trentin, 8 - 46020 Pegognaga (MN)

Tel. +39 0376 550375 - Fax +39 0376 553728 - E-mail info@autoliftsrl.com

www.autoliftsrl.com